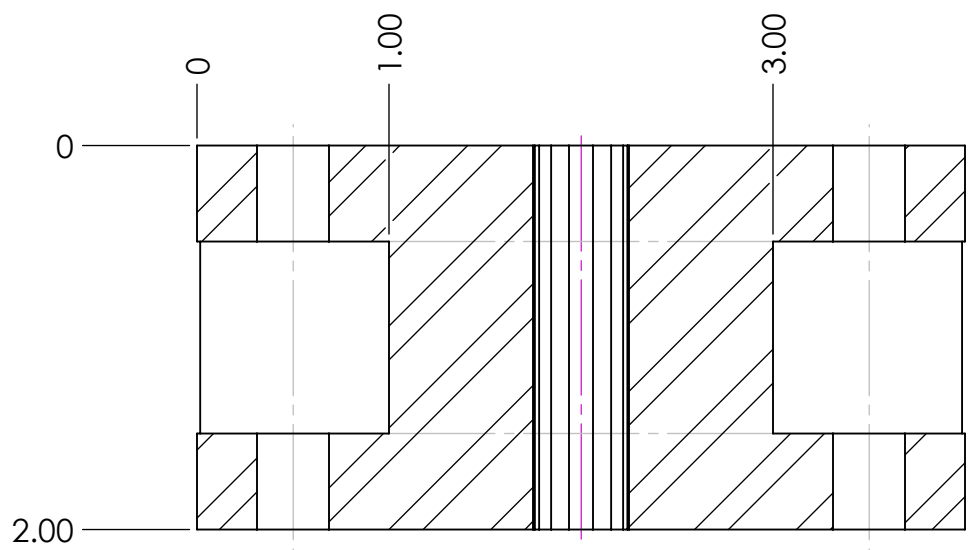
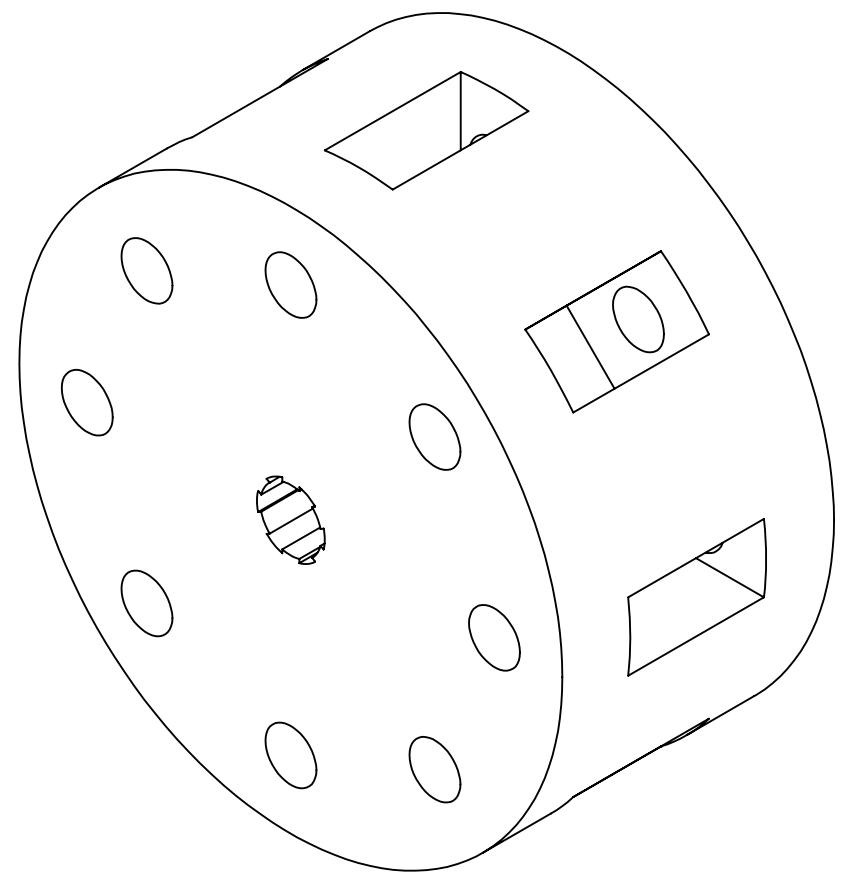
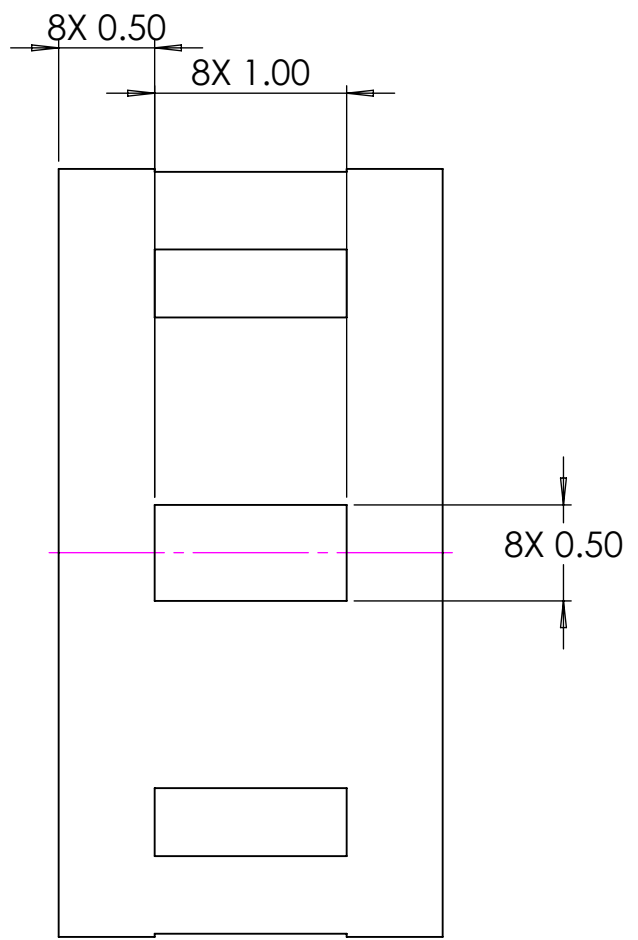
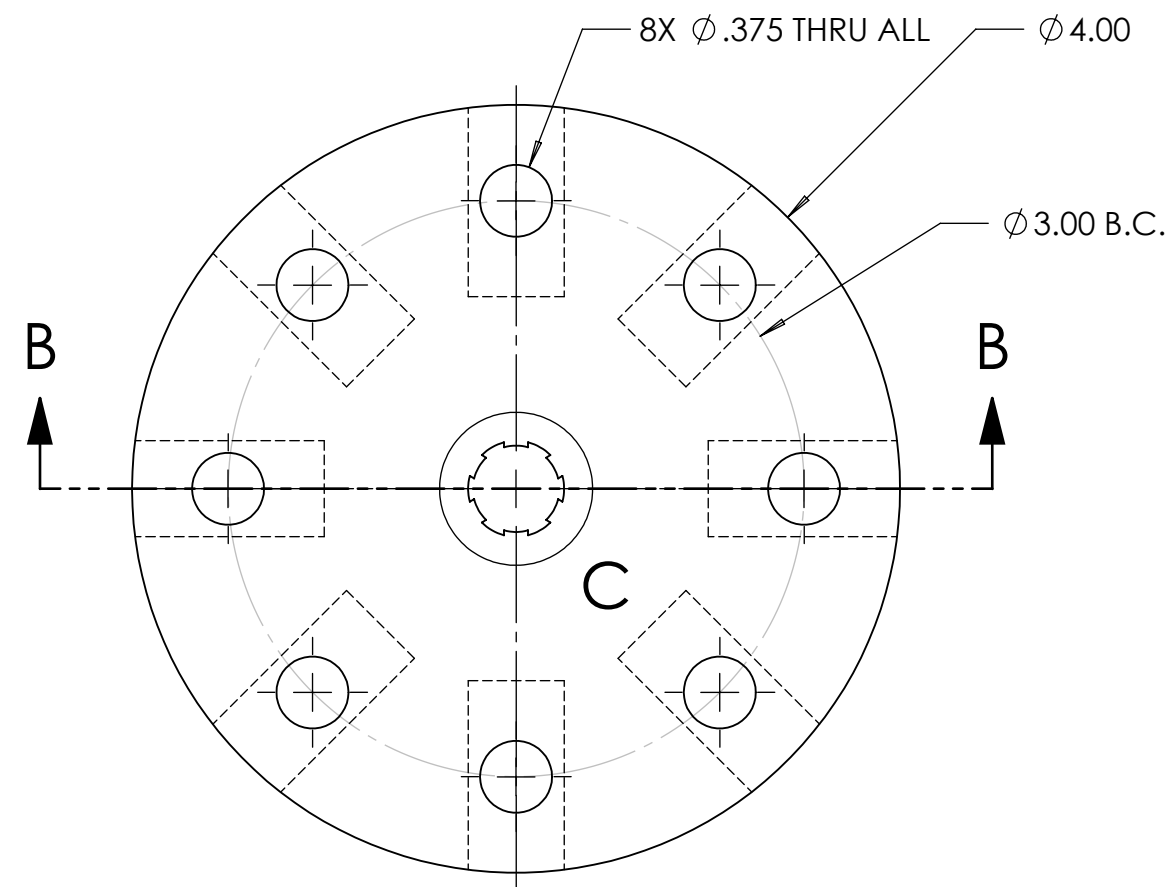
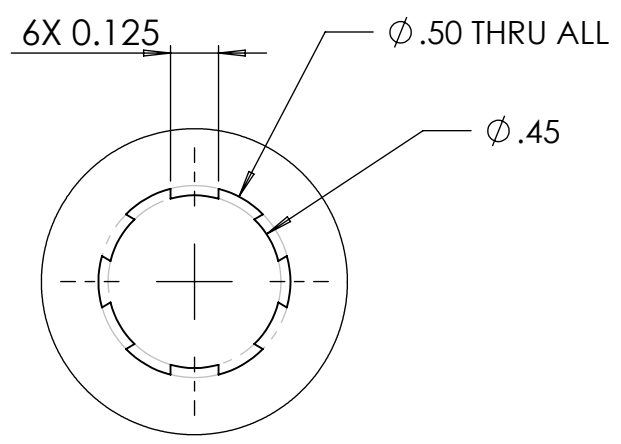


8 7 6 5 4 3 2 1



SECTION B-B



DETAIL C  
SCALE 2:1

ALL DIMENSIONS ARE IN INCHES - INTERPRET DRAWINGS PER ASME Y14.5-1994

TOLERANCES UNLESS OTHERWISE SPECIFIED:  
 X.X  $\pm$ 0.03  
 X.XX  $\pm$ 0.01  
 X.XXX  $\pm$ 0.005

$\angle$   $\pm$ 0.5° 125/

REMOVE ALL BURRS AND SHARP EDGES 0.005 R OR CHAMFER MAX.

UNLESS OTHERWISE SPECIFIED:		
QTY:	1	MATERIAL: 6061
DIMENSIONS ARE IN INCHES.		
ENGINEER	jsapers	10/21/2015
DRAWN	landrade	10/21/2015
CHECKED		10/21/2015



TITLE  
**LEAF-AXLE ADAPTER**

SIZE <b>B</b>	PART NO. <b>GRR-200-01</b>	REV <b>B</b>
SCALE 2:1	DO NOT SCALE PRINT	SHEET 1 OF 1

8 7 6 5 4 3 2 1