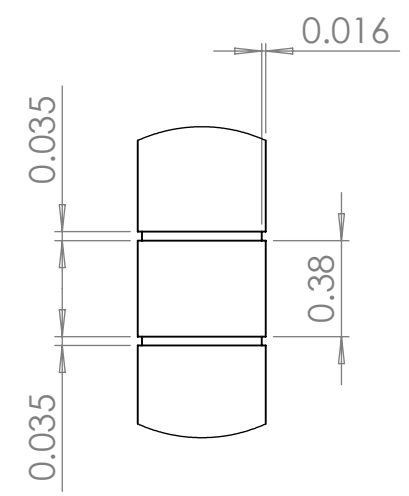
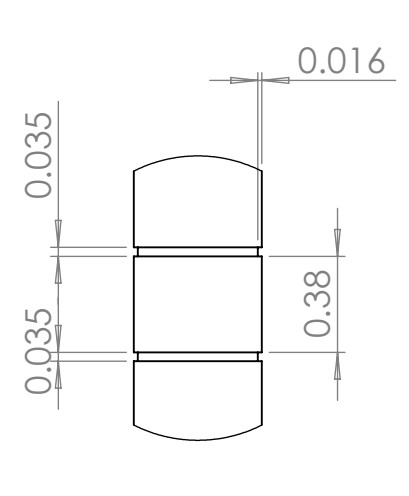


0.10
 1.60
 3.34
 5.79
 9.48
 KEYWAY A
 KEYWAY B

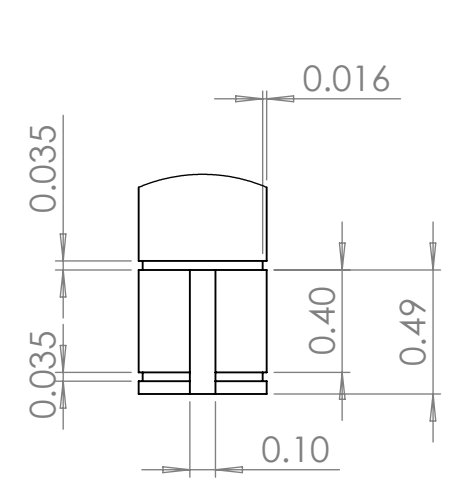
10.00



DETAIL B
 SCALE 2:1.5

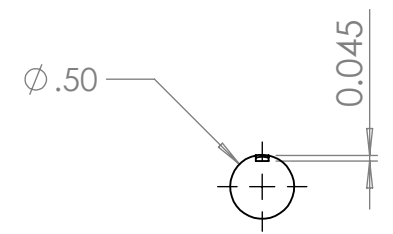


DETAIL C
 SCALE 2:1.5



DETAIL D
 SCALE 2:1.5

NOTE: KEYWAY A AND B ARE EQUAL DEPTHS



ALL DIMENSIONS ARE IN INCHES - INTERPRET DRAWINGS PER ASME Y14.5-1994
 TOLERANCES UNLESS OTHERWISE SPECIFIED:
 X.X ±0.03
 X.XX ±0.01
 X.XXX ±0.005
 ±0.5° 125/

UNLESS OTHERWISE SPECIFIED:		
QTY: 1	MATERIAL: 6061	
DIMENSIONS ARE IN INCHES.		
ENGINEER	LANDRADE	10/13/2015
DRAWN	LANDRADE	10/13/201
CHECKED		10/13/201



TITLE		
Big Whirly Shaft		
SIZE	PART NO.	REV
B	NYAN-202	C
SCALE 2:1	DO NOT SCALE PRINT	SHEET 1 OF 1

THIS DRAWING CONTAINS INFORMATION WHICH IS CONFIDENTIAL AND PROPRIETARY TO ENGR2340, AND MAY NOT BE COPIED, DIVULGED OR USED IN PART OR AS A WHOLE, WITHOUT EXPRESSED WRITTEN CONSENT.